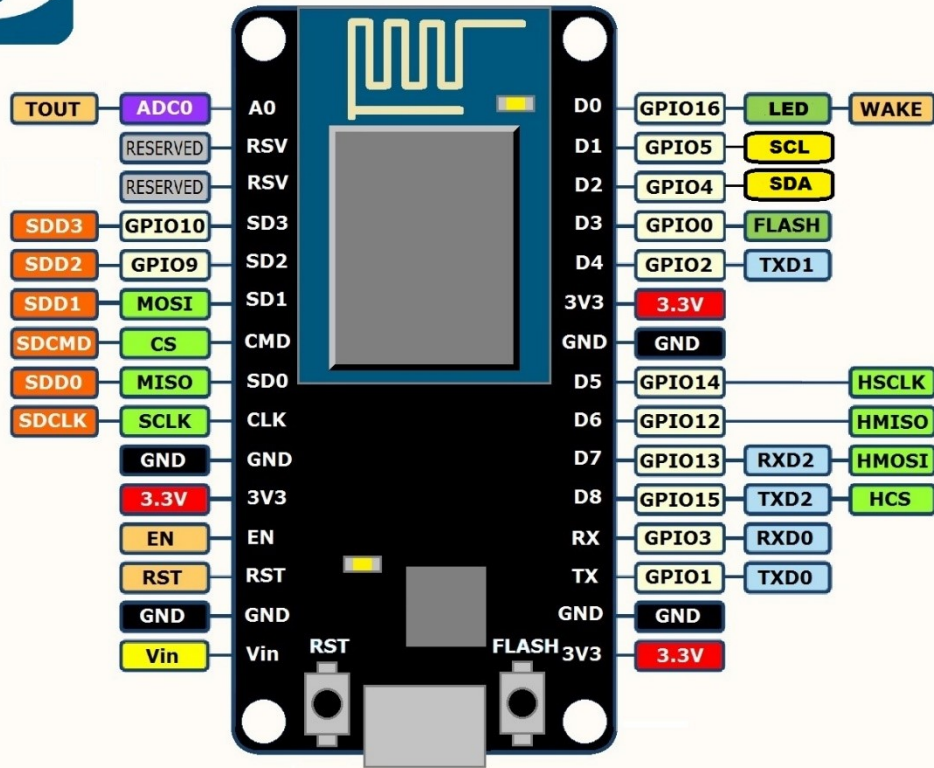




NodeMCU ESP-12 development kit V1.0

PIN DEFINITION



Arduining.com

WiFi		
SSID:	Password:	URL:
ThingSpeak (www.thingspeak.com)		
UserID:	Password:	ChannelID:
API Read:	API Write:	
Blynk (www.blynk.cc)		
UserID:	Password:	
Auth Token:		

IEEE Northern VA Section: <http://sites.ieee.org/nova/>

IEEE Washington Section: <http://sites.ieee.org/washington/>

IEEE NORTHERN VIRGINIA INTERNET OF THINGS

LCD Template

lcd.setCursor(column, row);

	0	1	2	3	4	5	6	7	8	9	10	11	12	13	14	15
0																
1																

Resource Links

Course Notes & Forum:	http://w4krl.com/projects/ieee-iot/
ESP8266 Community Forum:	www.esp8266.com
ESP8266 Arduino Core:	https://github.com/esp8266/Arduino
Arduino software and hardware:	www.arduino.cc
ThingSpeak	www.thingspeak.com
Blynk	www.blynk.cc
C++ Tutorial:	http://www.cplusplus.com/doc/tutorial/
HTTP Tutorial:	https://www.jmarshall.com/easy/http/
Parts & supplies:	www.taydaelectronics.com www.banggood.com , www.ebay.com (multiple vendors) www.microcenter.com 3089 Nutley St., Fairfax, VA 22031

Parts List

1. NodeMCU v.1
2. LCD 1602 with I2C adapter (16 characters, 2 lines)
3. Solderless Breadboard MB-102, 830-points
4. Dual Voltage Regulator, 5V/3.3V breadboard format
5. Dupont Jumpers Male-Male, 120mm (30+ quantity)
6. Dupont Jumper , 4-conductor, Male-Female, 200mm
7. Power Supply 12Vdc, 1A, 5.5mm/2.1mm center positive
8. Micro-USB cable, 1m
9. BMP180 barometric pressure/temperature/altitude, 3.3V breakout module
10. HTU21D temperature/humidity, 3.3V breakout module
11. Level converter, 4-channel, bi-directional
12. GL5516 photoresistor
13. LEDs (2)
14. 200-Ohm resistors (2)
15. 4.7K resistor